

Primary Shutoff Assemblies

How to order Shutoff Assemblies:

- The part numbers listed for non-code manways and portals do not include shutoffs.
- Shutoff assemblies must be ordered separately by specific parts numbers in addition to the parts numbers you specify for manways and portals.

Example:

If you order

Base Unit Part #: F-800-2 12" x 6" Portal

You also order separately

Shutoff Part #: FP-LC-8-3 8" diameter Shutoff, assembled, 3" connections in lid

Specifications:

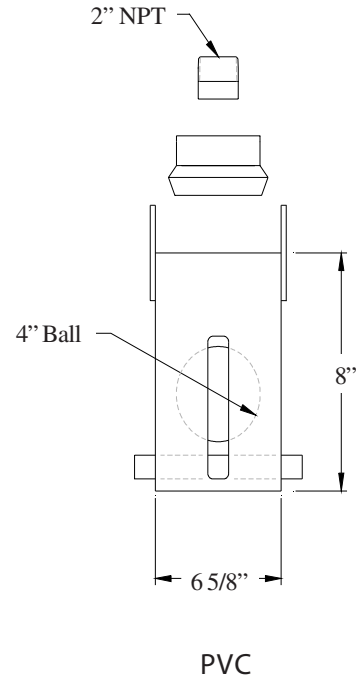
- All shutoff assemblies come standard with pipe thread connections.
- All stainless steel assemblies come standard with stainless steel bolt tabs.
- Shutoff assemblies are available in 6", 8" and 10" diameters.
- 6" shutoff assemblies come standard with PVC ball cages.
- 8" & 10" shutoff assemblies come standard with 304 stainless steel ball cages.
- All assemblies come standard with Buna Ball Seats other materials are available.
- The 6" assembly is equipped with a 4" stainless ball and is available in 2" plumbing size.
- The 8" assembly is equipped with a 6" stainless ball and is available up to 4" plumbing size.
- The 10" diameter is equipped with an 8" stainless float ball and is available up to 6" plumbing.
- Use this guide for manways and portals only.
- Secondary shutoffs are priced complete.
- This guide does not apply to ASME Code items.

Shutoff Assemblies - 6" Lid Connection

For installation in any non-code manway or portal.

FEATURES

- 6" Corrosion Resistant PVC Ball Cage
- 4" Stainless Steel Float Ball
- 2" Buna Ball Seat
- 2" NPT Pipe Nipple



For Installation in Carbon Steel Units

Parts Description	Part#
- 6" PVC Cage, 2" NPT	FP-LC-6-2PVC

For Installation in Aluminum or Stainless Steel Units

Parts Description	Part#
- 6" PVC Cage, 2" NPT	FAP-LC-6-2PVC

Replacement Parts Description	Part#
- 6" PVC Cage, Retainer and Weld Tabs	FP-LC-6-PVC
- 2" Buna Ball Seat	FP-2028
- Clamp for 2" Ball Seat	FP-1063
- 4" Stainless Steel Float Ball	FP-4204
- 2" NPT- Carbon Nipple	FP-P2035
- 2" NPT - Stainless Nipple	FSP-P2035

Shutoff Assemblies

For installation in any non-code manway or portal.

FEATURES

- 8" or 10" Corrosion Resistant Stainless Steel Ball Cage
- 6" or 8" Stainless Steel Float Ball
- 3", 4" or 6" Buna Ball Seat
- 3" or 4" NPT

6" Stainless Steel Float Ball



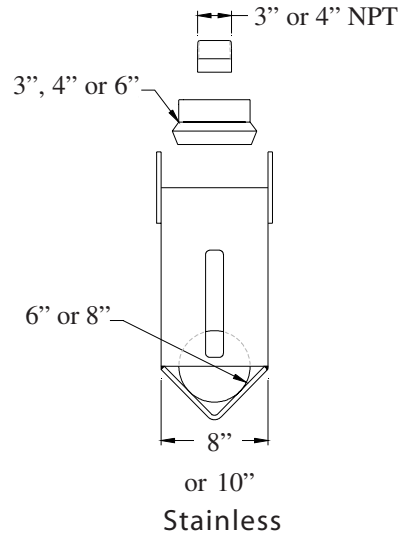
4" Buna Ball Seat



8" Stainless Steel Ball Cage



4" Stainless Steel NPT Nipple



For Installation in Carbon Steel Units

Parts Description	Part#
- 8" Stainless Steel Cage, 3" NPT Carbon, 6" Stainless Steel Float Ball	FP-LC-8-3
- 8" Stainless Steel Cage, 4" NPT Carbon, 6" Stainless Steel Float Ball	FP-LC-8-4
- 10" Stainless Steel Cage, 4" NPT Carbon, 8" Stainless Steel Float Ball	FP-LC-10-4
- 10" Stainless Steel Cage, 6" NPT Carbon, 8" Stainless Steel Float Ball	FP-LC-10-6

For Installation in Aluminum Units

Parts Description	Part#
- 8" Stainless Steel Cage, 3" NPT Stainless Steel, 6" Stainless Steel Float Ball	FAP-LC-8-3
- 8" Stainless Steel Cage, 4" NPT Stainless Steel, 6" Stainless Steel Float Ball	FAP-LC-8-4
- 10" Stainless Steel Cage, 4" NPT Stainless Steel, 8" Stainless Steel Float Ball	FAP-LC-10-4
- 10" Stainless Steel Cage, 6" NPT Stainless Steel, 8" Stainless Steel Float Ball	FAP-LC-10-6

