

NVE

National Vacuum Equipment

NVE Blowers and Packages

700 Series

900 Series

1400 Series

High vacuum blowers designed for truck-mounted liquid waste handling systems.

Big Air.

**DEEP
VACUUM.**



**1457 High Vacuum
Blower Package**

Made in the USA

National Vacuum Equipment

2670 Aero Park Drive

Traverse City MI 49686 USA

800-253-5500 | sales@nvepump.com

www.nvepump.com

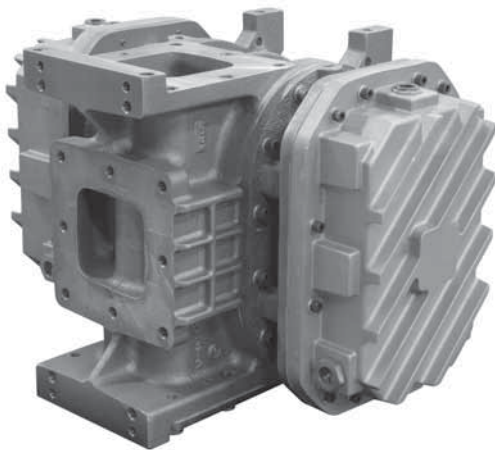
NVE High Vacuum Blowers and Packages – 700, 900 and 1400 CFM

Air injected through our unique internally manifolded system allows these rugged machines to perform continuously at maximum vacuum. In addition to the blower, we manufacture the entire package in our Michigan facilities. This ensures proper fit and function, and gives you the peace of mind that comes from knowing who stands behind your purchase.

- Heavy duty noise dampening housing with multiple bolting locations.
- True airflow ratings at reasonable rpm's.
- Internally manifolded ballast port cooling.
- Precision machined and balanced tri lobe rotor design.
- Excellent for wet or dry applications.
- Factory components designed specifically for each unit.
- Four way valve allowing both vacuum and pressure applications.
- Made in the USA.

747 Blower Performance

Maximum Airflow - CFM: 647

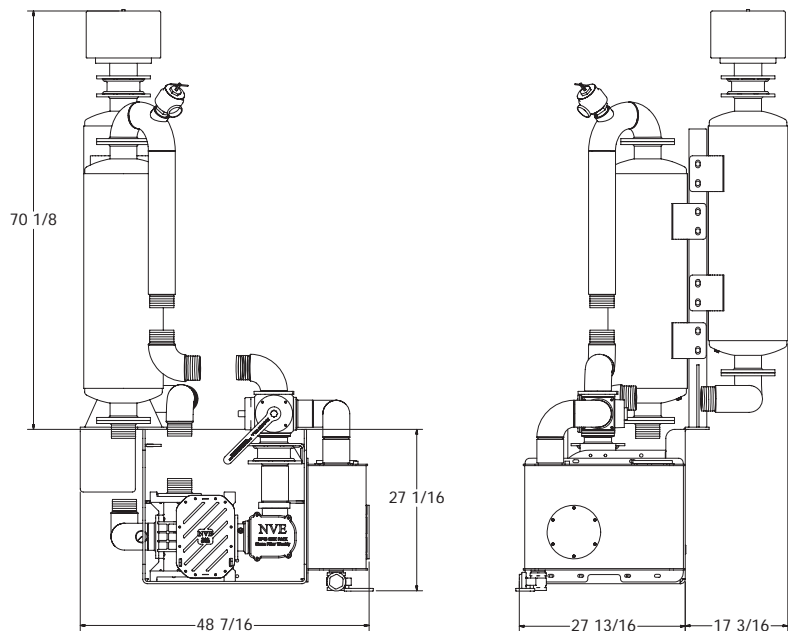


RPM		Vacuum - Inches of Mercury					
		0	9	18	21	24	27
3000	Hp.	17.6	20.4	25.9	30.7	33.8	
	CFM	462	353	324	306	188	
3600	Hp.	20.4	22.1	26.5	30.8	35.3	39.3
	CFM	555	424	389	367	297	77
4200	Hp.	23.5	25.4	30.5	35.4	40.6	45.2
	CFM	647	494	454	428	346	106

747 Package

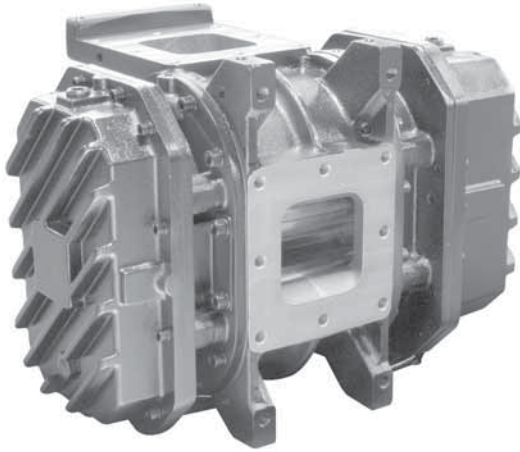
Package Features:

- Moisture Trap
- Intake and Ballast Filters
- Ballast and Exhaust Silencers
- 2:1 Gearbox
- Pressure Relief (10 psi)
- Mounting Frames
- Ballast and Intake Check Valves
- Hard Plumbing Fittings (as shown)
- 4-Way Valve (for vacuum and pressure operation)



957 Blower Performance

Maximum Airflow - CFM: 1007

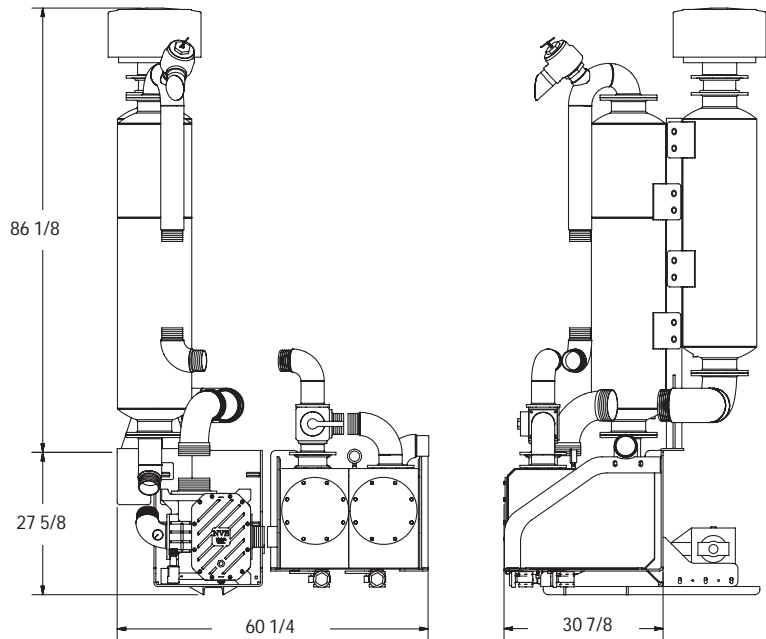


RPM		Vacuum - Inches of Mercury					
		0	9	18	21	24	27
2400	Hp.	18.3	25.5	34.6	41.6	47.6	
	CFM	671	572	380	322	246	
2800	Hp.	19.2	26.5	38.6	45.6	50.9	
	CFM	783	667	443	376	305	
3200	Hp.	20.6	29.6	43.8	51.6	59.5	68.8
	CFM	895	698	595	543	386	86
3600	Hp.	23.0	31.0	45.9	54.1	62.4	72.1
	CFM	1007	785	669	611	434	133

957 Package

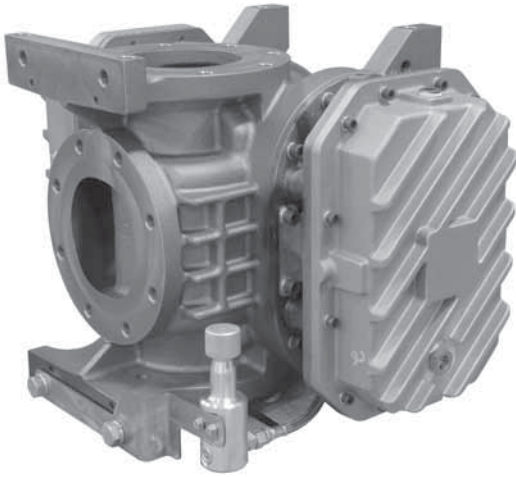
Package Features:

- Moisture Trap
- Intake and Ballast Filters
- Ballast and Exhaust Silencers
- 2:1 Gearbox
- Pressure Relief (10 psi)
- Mounting Frames
- Ballast and Intake Check Valves
- Hard Plumbing Fittings (as shown)
- 4-Way Valve (for vacuum and pressure operation)



1457 Blower Performance

Maximum Airflow - CFM: 1546

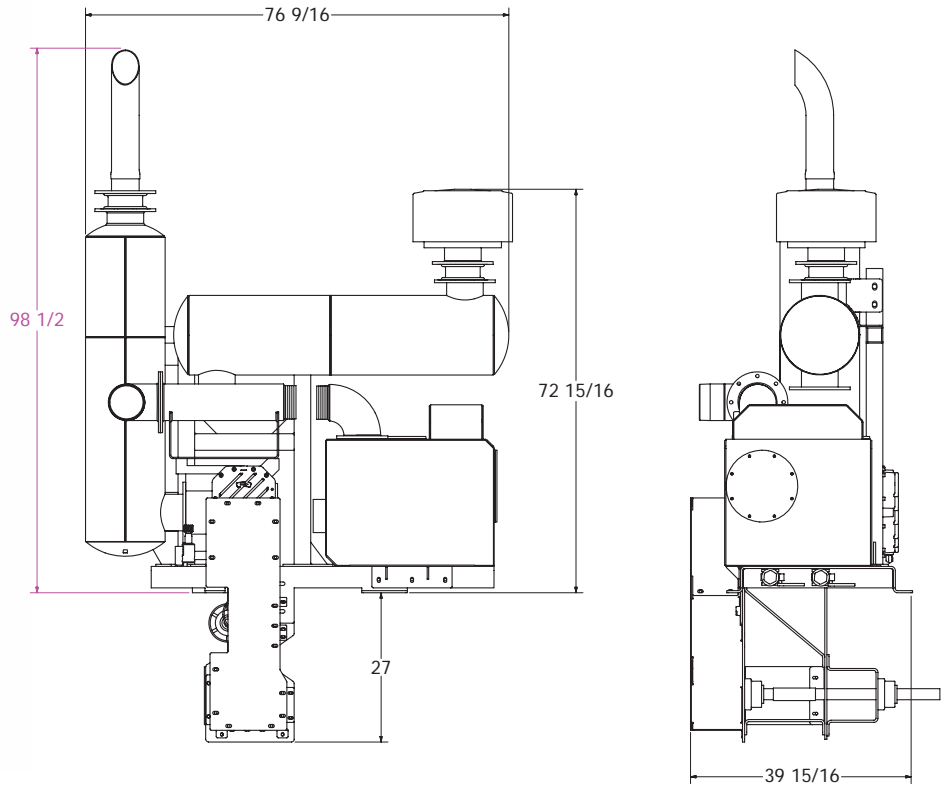


1457 Package

Package Features:

RPM		Vacuum - Inches of Mercury					
		0	9	18	21	24	27
2400	Hp.	25.4	35.7	53.8	60.4	67.8	
	CFM	1040	906	799	661	386	
2800	Hp.	28.6	40.2	60.6	68.0	76.3	
	CFM	1218	1061	936	774	305	
3200	Hp.	32.2	48.0	72.5	83.1	91.2	94.1
	CFM	1382	1204	1062	878	642	155
3600	Hp.	37.0	53.4	80.6	92.4	101.4	104.6
	CFM	1546	1347	1188	982	718	206

- Moisture Trap
- Intake and Ballast Filters
- Ballast and Exhaust Silencers
- 2:1 Gearbox
- Pressure Relief (10 psi)
- Mounting Frames
- Ballast and Intake Check Valves
- Hard Plumbing Fittings (as shown)
- 4-Way Valve (for vacuum and pressure operation)



National Vacuum Equipment

2670 Aero Park Drive | Traverse City MI 49686 USA

800-253-5500 | sales@nvepump.com | www.nvepump.com