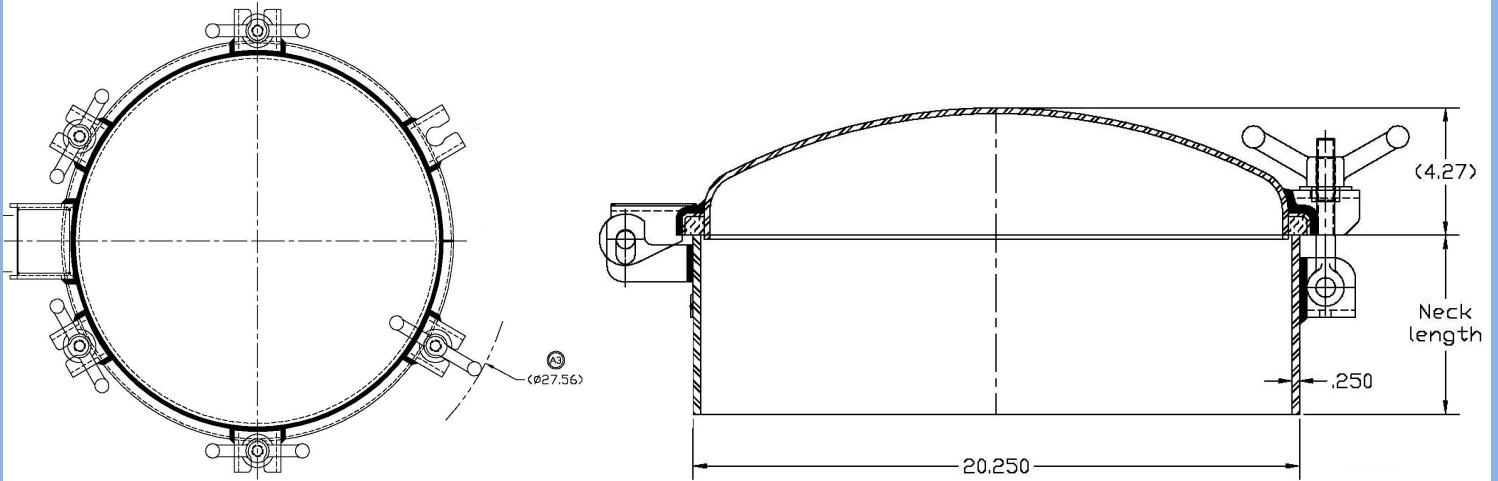


20" NVE ASME CODE PORTALS



Stock 20" ASME Portals

Lid	Neck	Part Number
Carbon Steel 20"	Carbon Steel 6"	242-2006
Carbon Steel 20"	Carbon Steel 10"	242-2010
Carbon Steel 20"	Carbon Steel 12"	242-2012
Carbon Steel 20"	Carbon Steel 18"	242-2018
Stainless Steel 20"	Aluminum 6"	246-2006
Stainless Steel 20"	Aluminum 9"	246-2009
Stainless Steel 20"	Aluminum 12"	246-2012
Stainless Steel 20"	Stainless Steel 6"	250-2006
Stainless Steel 20"	Stainless Steel 12"	250-2012

- **Want a combination not listed above? NVE can accommodate any combination of neck material type and length to match the 20" Lid of your choice**