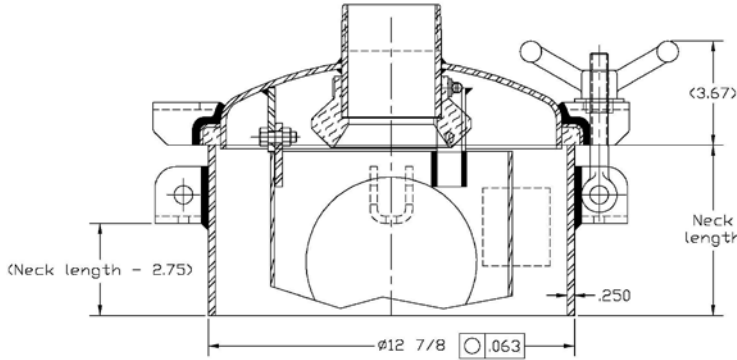
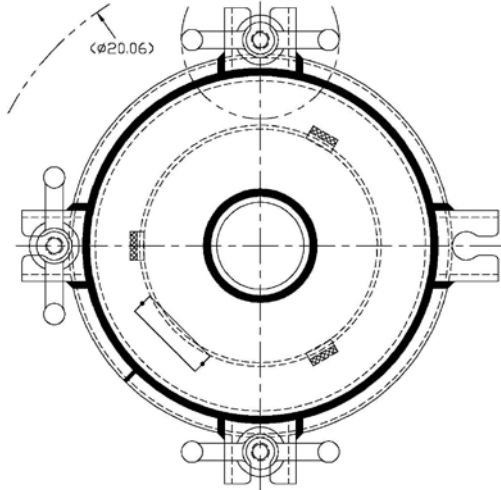


# 12" Primary Shutoffs – ASME Code

## FEATURES

- 8" Corrosion Resistant Stainless Steel Ball Cage
- 6" Stainless Steel Float Ball
- 3" or 4" Buna Ball Seat
- Wingnut Closure
- 5/8" Square Buna Gasket

12" Portal Shutoff w/3" NPT, 6" Neck

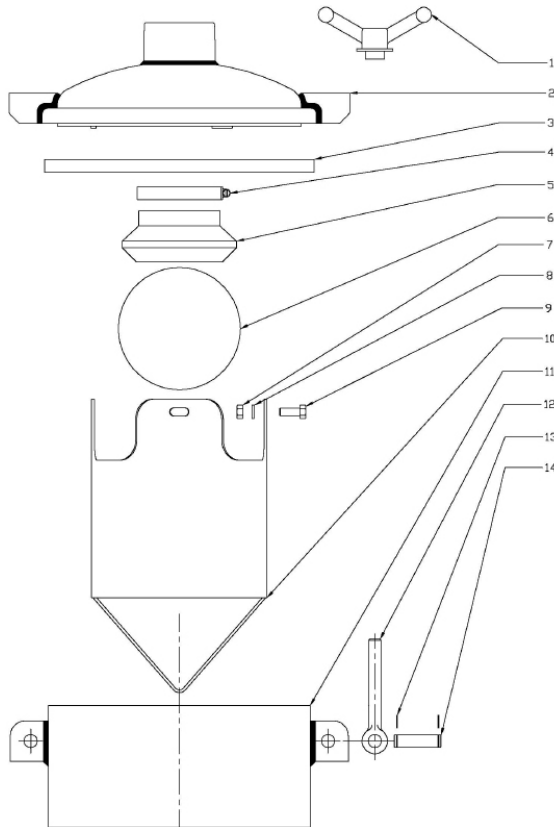


Available with lubenuts

## Complete Assemblies

LID	NECK	PART NUMBER	WEIGHT
12" Carbon Steel 3" NPT	Carbon Steel, 6"	240-1206-3NPT	57 LBS
12" Carbon Steel 4" NPT	Carbon Steel, 6"	240-1206-4NPT	## LBS
12" Carbon Steel 3" NPT	Carbon Steel, 10"	240-1210-3NPT	## LBS
12" Carbon Steel 3" NPT	Carbon Steel, 12"	240-1212-3NPT	## LBS
12" Carbon Steel 4" NPT	Carbon Steel, 12"	240-1212-4NPT	## LBS
12" Polished Stainless Steel 3" NPT	Aluminum 6"	244-1206-3NPT	## LBS
12" Polished Stainless Steel 4" NPT	Aluminum 6"	244-1206-4NPT	## LBS
12" Polished Stainless Steel 4" PIPE STUB	Aluminum 6"	244-1206-4STU	39 LBS
12" Stainless Steel 3" NPT	Stainless Steel, 6"	248-1206-3NPT	## LBS

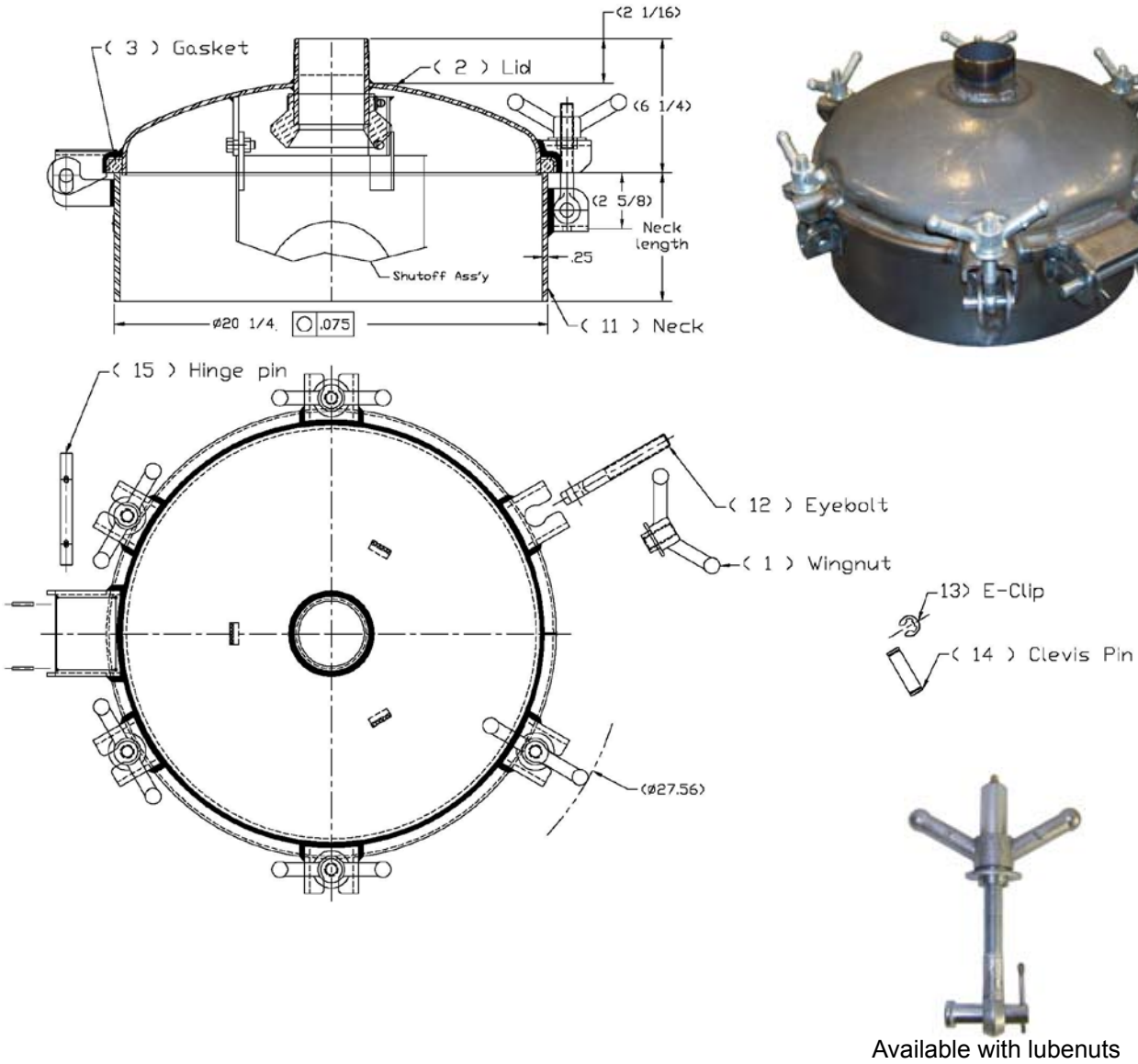
## 12" Primary Shutoffs – ASME Code Continued



### Replacement Parts

ITEM	PART NUMBER	DESCRIPTION
1	284-101-CCP	Wingnut, Forged Carbon, ASME Code
	284-100-CSP	Wingnut, SS Polished, ASME Code
2	CALL NVE	12" Code Carbon Lid, 3" NPT
	CALL NVE	12" Code Carbon Lid, 4" NPT
	CALL NVE	12" Code Stainless Lid, 3" NPT
	CALL NVE	12" Code Stainless Lid, 4" NPT
	CALL NVE	12" Code Stainless Lid, 4" PIPE STUB
3	286-706-12L	BUNA Gasket for 12" Lid
4	416-300-1WC	Worm Clamp, 3"
	416-400-1WC	Worm Clamp, 4"
5	416-300-B	Ball Seat BUNA 3"
	416-400-B	Ball Seat BUNA 4"
6	414-600-SS	6" Stainless Steel Float Ball
7	SEE DESC.	3/8 SS Hex Nut
8	SEE DESC.	3/8 SS Washer
9	SEE DESC.	3/8-13 x 1-1/4 lg 18-8 SS Bolt
10	282-800-1S	SS Ball Cage, 8" 201 SS
	282-800-2S	SS Ball Cage, 8" 304 SS
11	CALL NVE	Code Neck, 6" Carbon Steel
	CALL NVE	Code Neck, 10" Carbon Steel
	CALL NVE	Code Neck, 12" Carbon Steel
	CALL NVE	Code Neck, 6" Aluminum
	CALL NVE	Code Neck, 6" Stainless Steel
12	284-351-1CC	Eyebolt, 5" ASME
	284-350-1CSP	Eyebolt, 4.5" ASME SS
13	284-450-1CS	E-Clip, ASME SS, .5/8 Diam
14	284-400-1CS	Clevis Pin, CODE Stainless

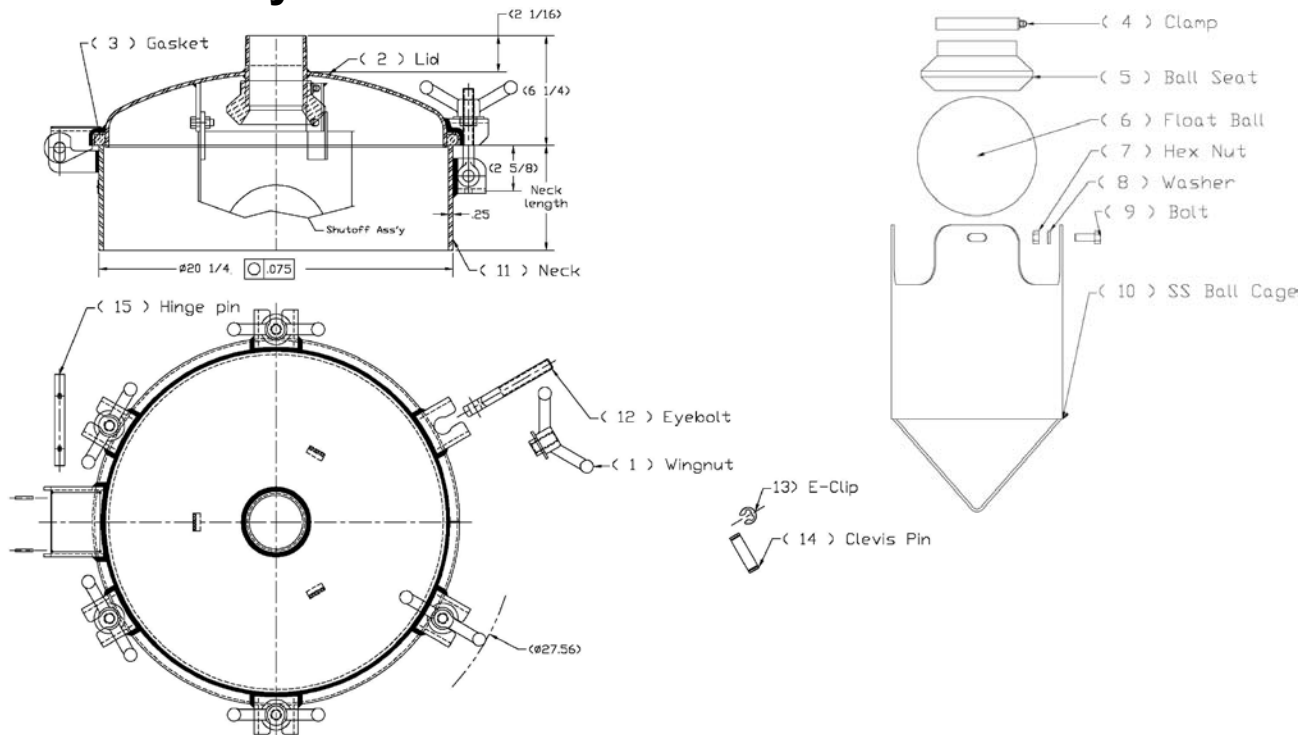
## 20" Primary Shutoffs – ASME Code



### Complete Assemblies

LID	NECK	PART NUMBER	WEIGHT
20" Carbon Steel 3" NPT	Carbon Steel, 6"	242-2006-3NPT	## LBS
20" Polished Stainless Steel 3" NPT	Aluminum, 6"	246-2006-3NPT	## LBS
20" Polished Stainless Steel 3" NPT	Aluminum, 9"	246-2009-3NPT	## LBS
20" Polished Stainless Steel 4" PIPE STUB	Aluminum, 9"	246-2009-4STU	## LBS

## 20" Primary Shutoffs – ASME Code Continued



### Replacement Parts

ITEM	PART NUMBER	DESCRIPTION
1	284-101-CCP	Wingnut, Forged Carbon, ASME Code
	284-100-CSP	Wingnut, SS Polished, ASME Code
2	CALL NVE	20" Code Carbon Lid, 3" NPT
	CALL NVE	20" Code SS Polished Lid, 3" NPT
	CALL NVE	20" Code SS Polished Lid, 4 PIPE STUB
3	286-706-20L	BUNA Gasket for 20" Lid
4	416-300-1WC	Worm Clamp, 3"
	416-400-1WC	Worm Clamp, 4"
5	416-300-B	Ball Seat BUNA 3"
	416-400-B	Ball Seat BUNA 4"
6	414-600-SS	6" Stainless Steel Float Ball
7	SEE DESC.	3/8 SS Hex Nut

ITEM	PART NUMBER	DESCRIPTION
8	SEE DESC.	3/8 SS Washer
9	SEE DESC.	3/8-13 x 1-1/4 lg 18-8 SS Bolt
10	282-800-1S	SS Ball Cage, 8" 201 SS
	282-800-2S	SS Ball Cage, 8" 304 SS
11	CALL NVE	20" Code Neck, 6" Carbon
	CALL NVE	20" Code Neck, 6" Alum
	CALL NVE	20" Code Neck, 9" Alum
12	284-351-1CC	Eyebolt, 5" ASME
	284-350-1CSP	Eyebolt, 4.5" ASME SS
13	284-450-1CS	E-Clip, ASME SS, .5/8 Diam
14	284-400-1CS	Clevis Pin, CODE Stainless
15	280-703-C	Hinge Pin
	280-703-CS	Hinge Pin, SS

