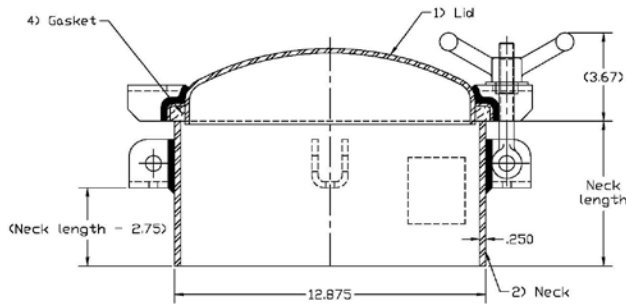
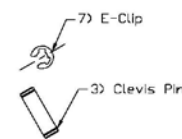
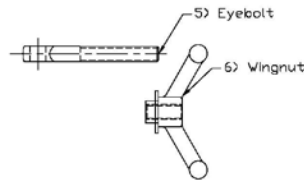
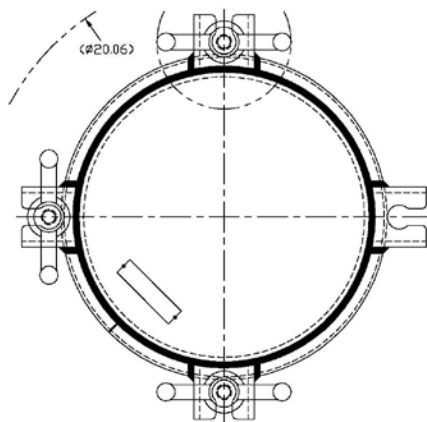


12" Portals – ASME Code



FEATURES

- Gasket on Lid Design
- Wingnut Closure
- 5/8" Square Buna Gasket



Meets requirements of DOT Spec. 178.345.5

Available with lubenuts

Complete Assemblies

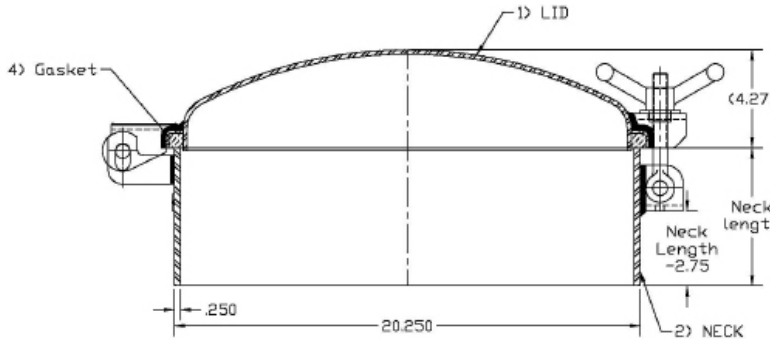
LID	NECK	PART NUMBER	WEIGHT
12" Carbon Steel	Carbon Steel, 6"	240-1206	## LBS
12" Carbon Steel	Carbon Steel, 10"	240-1210	51 LBS
12" Carbon Steel	Carbon Steel, 12"	240-1212	## LBS
12" Stainless Steel	Aluminum, 6"	244-1206	## LBS
12" Stainless Steel	Stainless Steel, 6"	248-1206	## LBS
12" Stainless Steel	Stainless Steel, 12"	246-1212	## LBS

Replacement Parts

ITEM	PART NUMBER	DESCRIPTION
1	252-120-CC	12" Lid, ASME Carbon
	252-120-CS	12" Lid, ASME SS Unpolished
2	CALL NVE	Neck, 12" x 6" ASME Carbon
	CALL NVE	Neck, 12" x 10" ASME Carbon
	254-1212-CC	Neck, 12" x 12" ASME Carbon
	CALL NVE	Neck, 12" x 6" ASME Alu
	CALL NVE	Neck, 12" x 6" ASME SS
	CALL NVE	Neck, 12" x 12" ASME SS

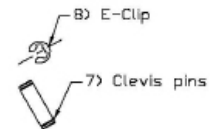
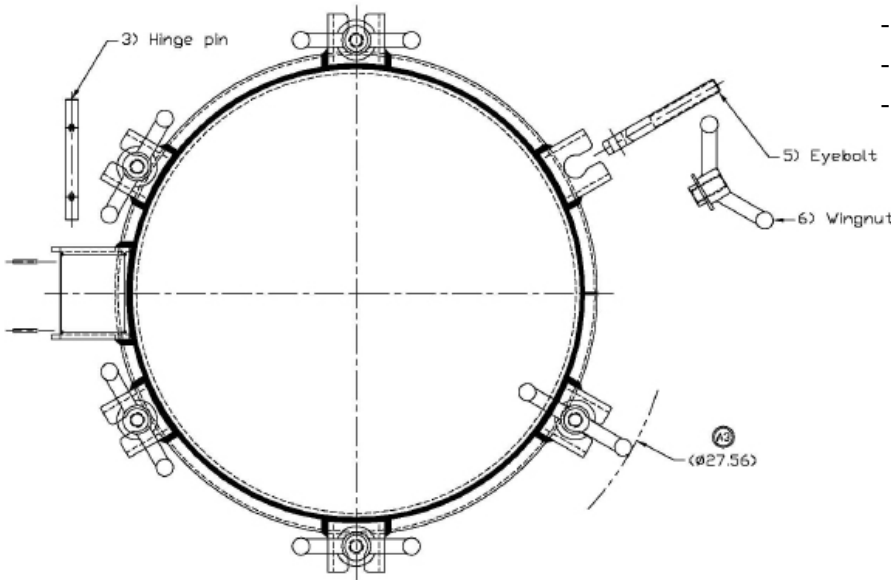
ITEM	PART NUMBER	DESCRIPTION
3	284-400-1CS	Clevis Pin, CODE SS
4	286-706-12L	Gasket, 12" Lid BUNA
5	284-351-1CC	Eyebolt, 5" ASME
	284-350-1CSP	Eyebolt, 4.5" ASME SS
6	284-101-CCP	Wingnut, Carbon, ASME
	284-100-CSP	Wingnut, SS Polished, ASME
7	284-450-1CS	E-Clip, ASME SS, 5/8 Diam

20" Manways – ASME Code



FEATURES

- Gasket on Lid Design
- Wingnut Closure
- 5/8" Square Buna Gasket



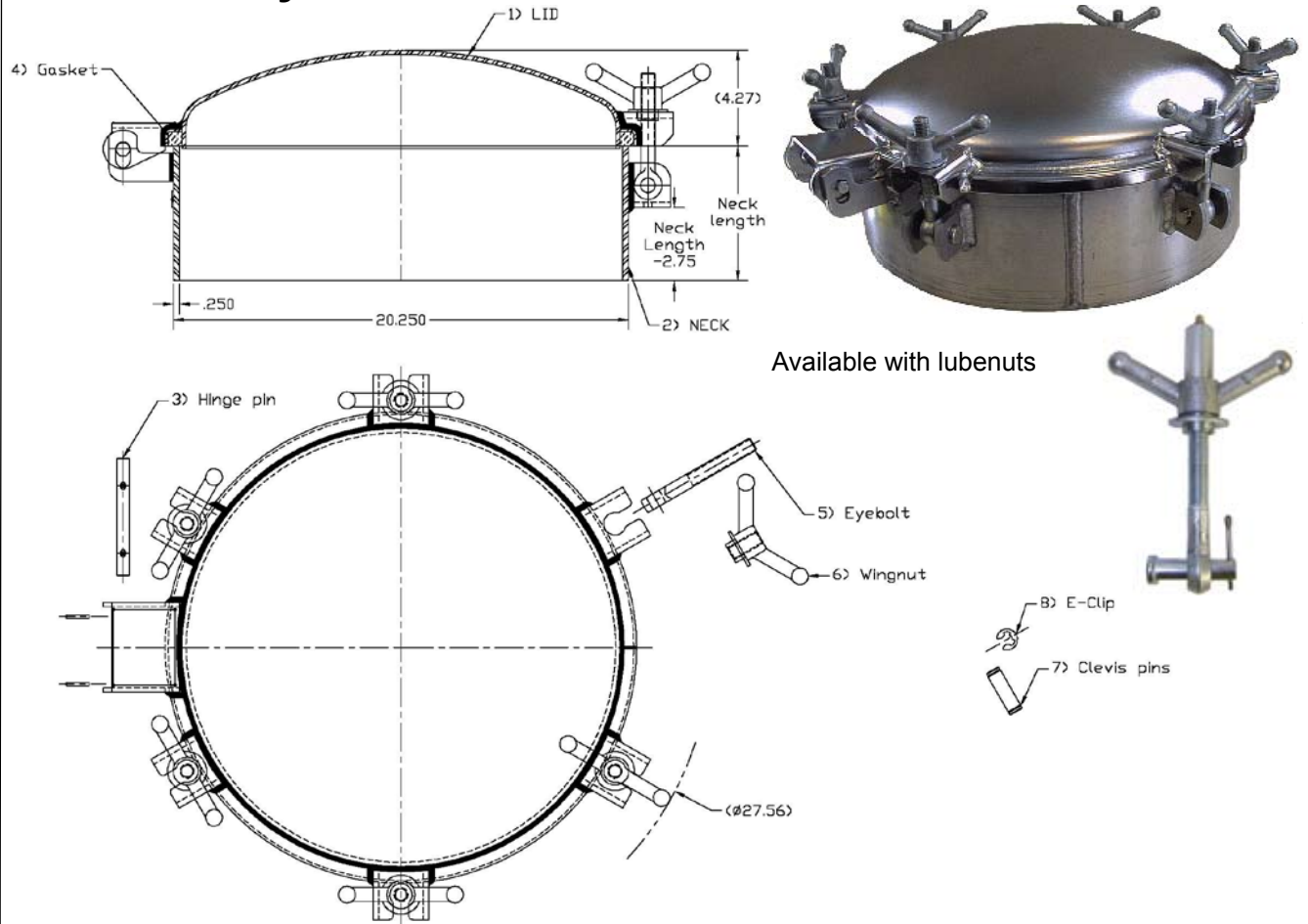
Available with lubenuts

Complete Assemblies

LID	NECK	PART NUMBER	WEIGHT
20" Carbon Steel	Carbon Steel, 6"	242-2006	75 LBS
20" Carbon Steel	Carbon Steel, 10"	242-2010	## LBS
20" Carbon Steel	Carbon Steel, 12"	242-2012	101 LBS
20" Carbon Steel	Carbon Steel, 18"	242-2018	126 LBS
20" Polished Stainless Steel	Aluminum, 6"	246-2006	52 LBS
20" Polished Stainless Steel	Aluminum, 9"	246-2009	56 LBS
20" Polished Stainless Steel	Aluminum, 12"	246-2012	## LBS
20" Stainless Steel	Stainless Steel, 6"	250-2006	## LBS
20" Stainless Steel	Stainless Steel, 12"	250-2012	## LBS

Replacement parts on following page

20" Manways – ASME Code Continued



VACUUM TANK COMPONENTS

Replacement Parts

ITEM	PART NUMBER	DESCRIPTION
1	252-200-CC	20" Lid, ASME Carbon
	252-200-1CS	20" Lid, ASME SS Unpolished
	252-200-1CSP	20" Lid, ASME SS Polished
2	254-2006-CC	Neck, 20" x 6" ASME Carbon
	CALL NVE	Neck, 20" x 10" ASME Carbon
	254-2012-CC	Neck, 20" x 12" ASME Carbon
	CALL NVE	Neck, 20" x 18" ASME Carbon
	CALL NVE	Neck, 20" x 6" ASME Alu
	CALL NVE	Neck, 20" x 9" ASME Alu
	CALL NVE	Neck, 20" x 12" ASME Alu
	CALL NVE	Neck, 20" x 6" ASME SS
	CALL NVE	Neck, 20" x 12" ASME SS

ITEM	PART NUMBER	DESCRIPTION
3	280-703-C	Hinge Pin
	280-703-CS	Hinge Pin, SS
4	286-706-20L	Gasket, 20" Lid BUNA
	284-351-1CC	Eyebolt, 5" ASME 351 SS
5	284-350-1CSP	Eyebolt, 4.5" ASME SS
	6	284-101-CCP
284-100-CSP		Wingnut, SS Polished, ASME
7	284-400-1CS	Clevis Pin, CODE SS
8	284-450-1CS	E-Clip, ASME SS, 5/8 Diam