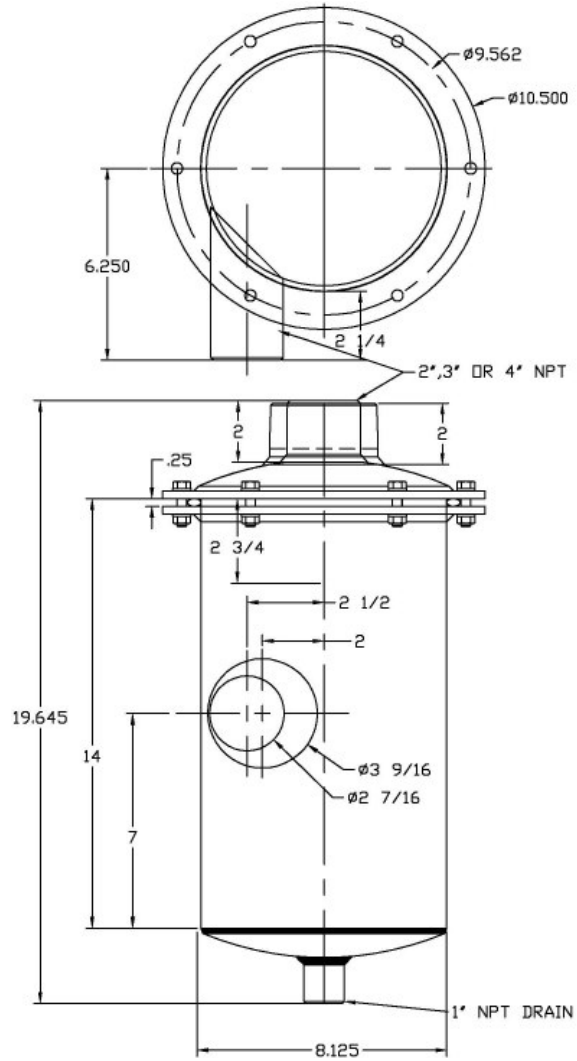


8" Oil Catch Mufflers - Vertical Orientation

**** 8" Diameter - TO 250 CFM**

FEATURES

- Bolted Closure
- 3/8" Buna O-Ring
- 1" Ball Valve Drain



Complete Assemblies

DESCRIPTION	PART NUMBER	WEIGHT
8" Oil Catch Muffler, 2" NPT	212-800-2NPT	25 LBS
8" Oil Catch Muffler, 3" NPT	212-800-3NPT	28 LBS

Replacement Parts

DESCRIPTION	PART NUMBER
Body, 8" OCM, 2" NPT	CALL NVE
Body, 8" OCM, 3" NPT	CALL NVE
Lid, 8" Carbon Steel, 2" NPT	CALL NVE
Lid, 8" Carbon Steel, 3" NPT	CALL NVE
1" Ball Valve Drain	288-100
8" BUNA O-Ring	286-375-RND-PF

8" Oil Catch Mufflers - Vertical Orientation Aluminum Tread Plate

**** 8" Diameter - TO 250 CFM**

FEATURES

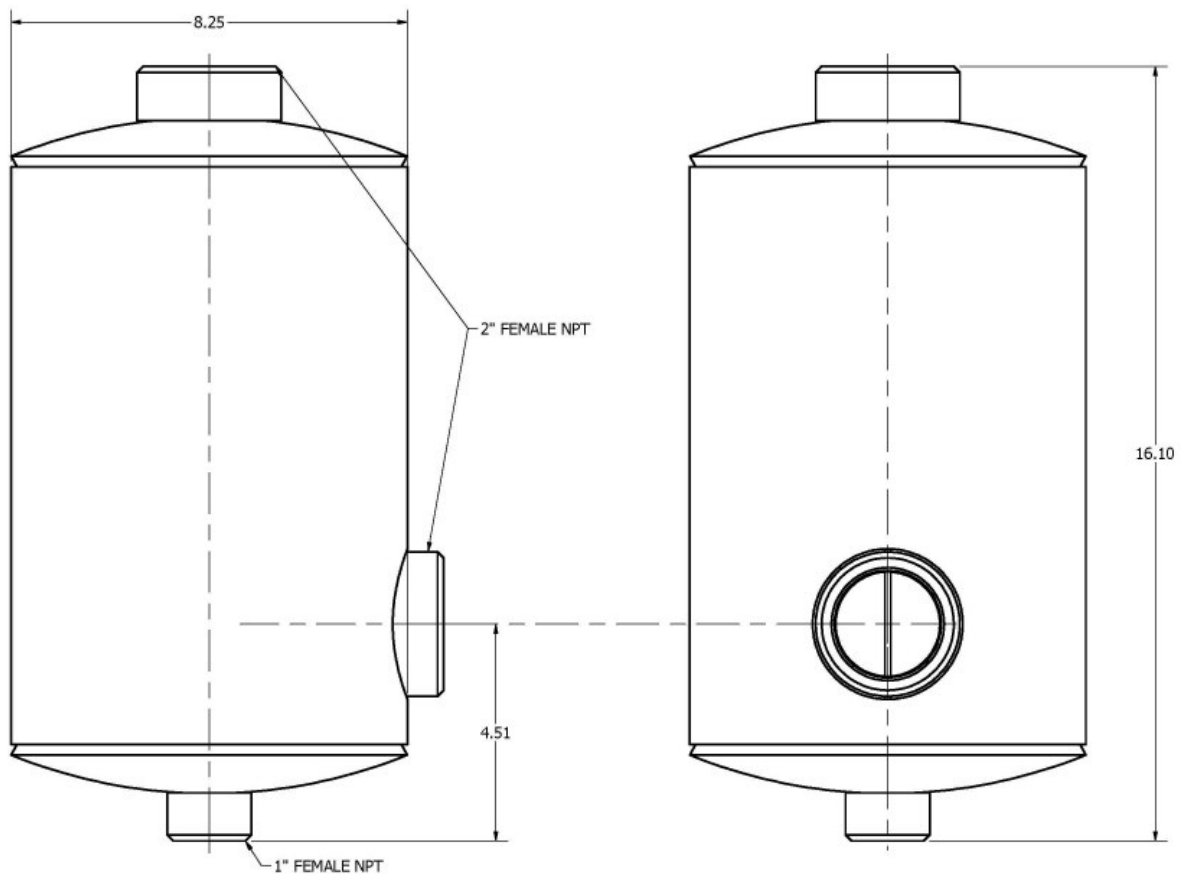
- Welded Closure
- Stainless Steel Filter
- Aluminum Treadplate Exterior
- 2" NPTF Ports

Complete Assemblies

DESCRIPTION	PART NUMBER	WEIGHT
8" Oil Catch Muffler w/ Filter, 2" NPTF	212-800-2FP-A	## LBS

Replacement Parts

DESCRIPTION	PART NUMBER
1" Ball Valve Drain	288-100



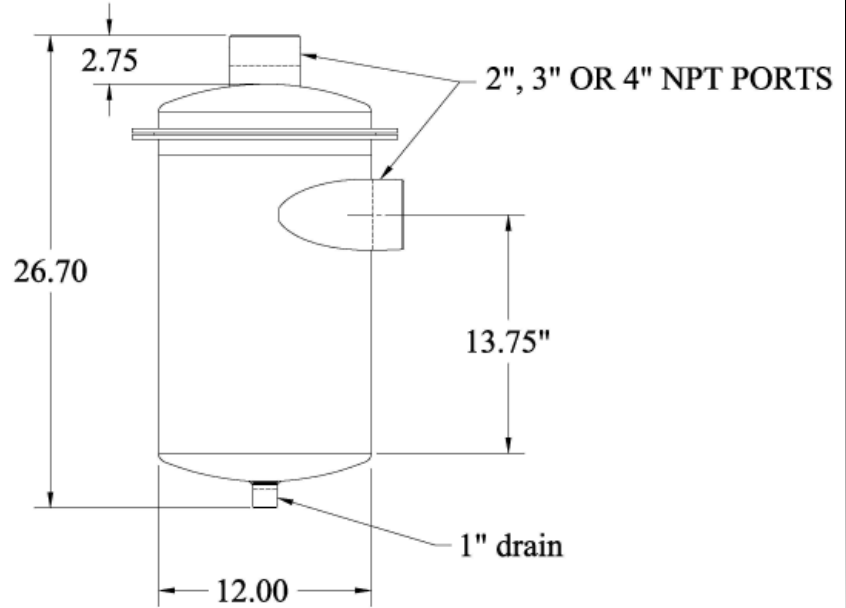
12" Oil Catch Mufflers - Vertical Orientation Bolted Carbon Steel w/Filter

** 12" Diameter - TO 500 CFM

FEATURES

- Bolted Closure
- 3/8" Buna O-Ring
- 1" Ball Valve Drain
- Pleated Stainless Steel Filter

12" Vertical Oil Catch Muffler



Complete Assemblies

DESCRIPTION	PART NUMBER	WEIGHT
12" Oil Catch Muffler w/ Filter, 2" NPT	212-120-2NPT	73 LBS
12" Oil Catch Muffler w/ Filter, 3" NPT	212-120-3NPT	75 LBS
12" Oil Catch Muffler w/ Filter, 4" NPT	212-120-4NPT	77 LBS

Replacement Parts

DESCRIPTION	PART NUMBER
1" Ball Valve Drain	288-100
12" BUNA O-Ring	286-375-RND-PF

12" Oil Catch Mufflers - Vertical Orientation Weld-In Carbon Steel w/Filter

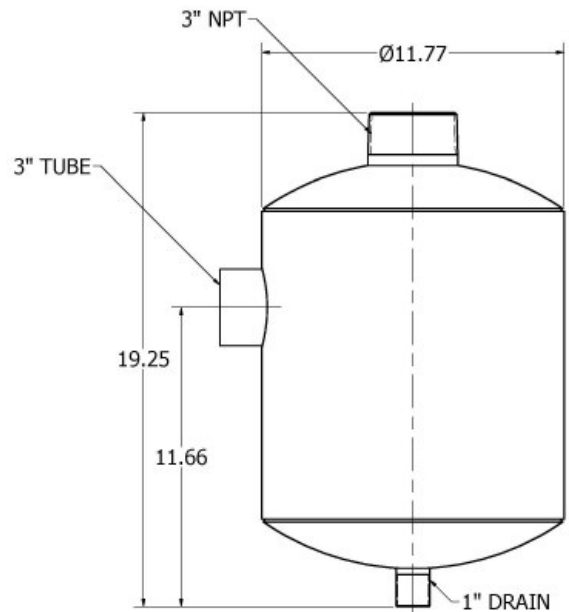
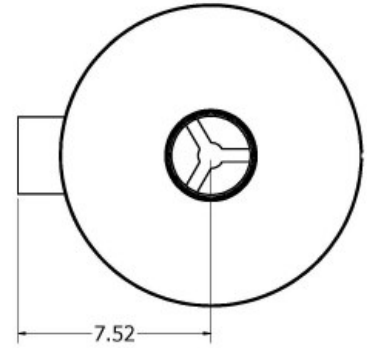
** 12" Diameter - TO 500 CFM

FEATURES

- Welded Closed
- Pleated Stainless Steel Filter



12" Dia, 3" NPT, Carbon Body
Shipped un-painted
1" Drain Valve sold seperately



Complete Assemblies

DESCRIPTION	PART NUMBER	WEIGHT
12" Oil Catch Muffler w/ Filter, 3" NPT Welded	212-120-3NPT-2	## LBS

Replacement Parts

DESCRIPTION	PART NUMBER
1" Ball Valve Drain	288-100

