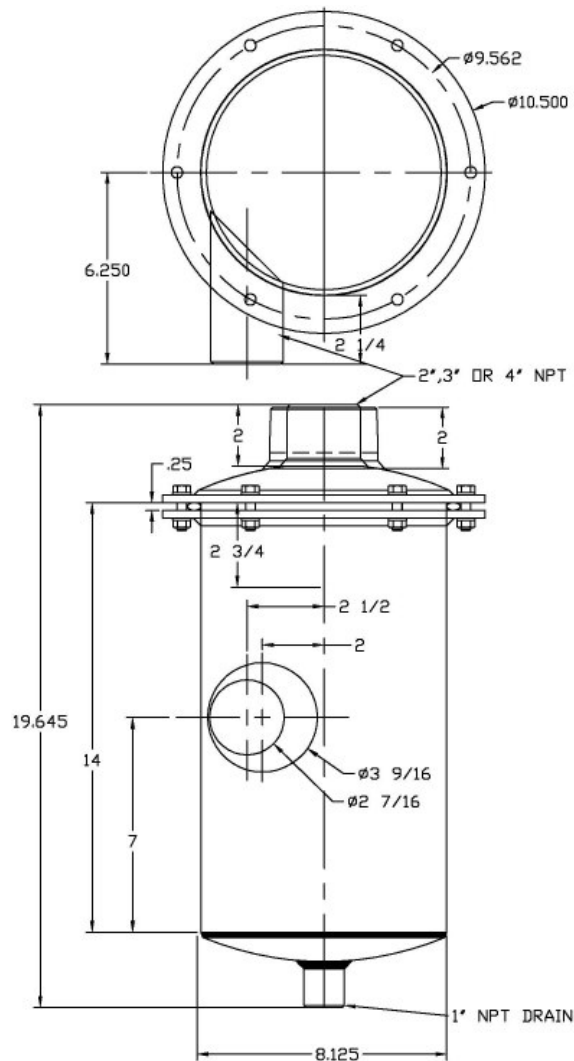


## 8" Oil Catch Mufflers - Vertical Orientation

**\*\* 8" Diameter - TO 250 CFM**

### FEATURES

- Bolted Closure
- 3/8" Buna O-Ring
- 1" Ball Valve Drain



### Complete Assemblies

DESCRIPTION	PART NUMBER	WEIGHT
8" Oil Catch Muffler, 2" NPT	212-800-2NPT	25 LBS
8" Oil Catch Muffler, 3" NPT	212-800-3NPT	28 LBS

### Replacement Parts

DESCRIPTION	PART NUMBER
Body, 8" OCM, 2" NPT	CALL NVE
Body, 8" OCM, 3" NPT	CALL NVE
Lid, 8" Carbon Steel, 2" NPT	CALL NVE
Lid, 8" Carbon Steel, 3" NPT	CALL NVE
1" Ball Valve Drain	288-100
8" BUNA O-Ring	286-375-RND-PF