

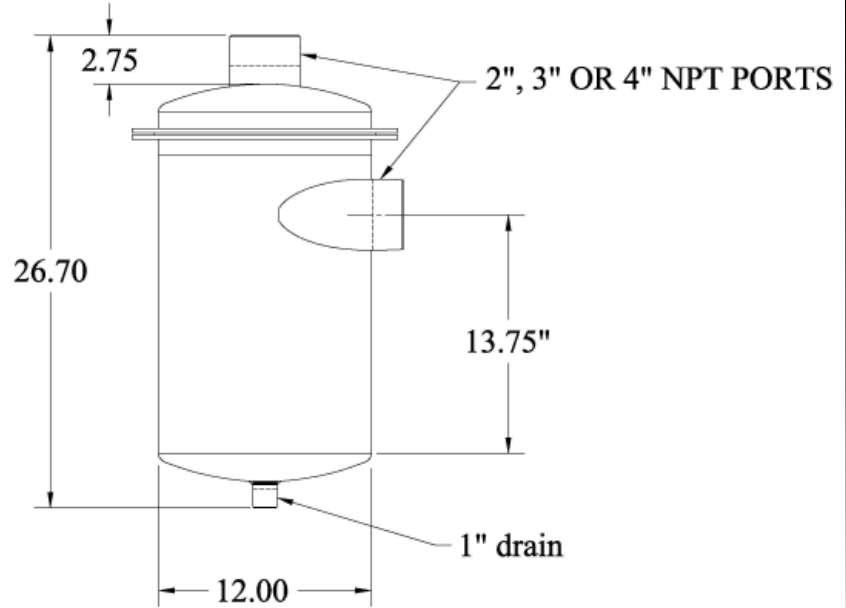
# 12" Oil Catch Mufflers - Vertical Orientation Bolted Carbon Steel w/Filter

**\*\* 12" Diameter - TO 500 CFM**

### FEATURES

- Bolted Closure
- 3/8" Buna O-Ring
- 1" Ball Valve Drain
- Pleated Stainless Steel Filter

12" Vertical Oil Catch Muffler



### Complete Assemblies

DESCRIPTION	PART NUMBER	WEIGHT
12" Oil Catch Muffler w/ Filter, 2" NPT	212-120-2NPT	73 LBS
12" Oil Catch Muffler w/ Filter, 3" NPT	212-120-3NPT	75 LBS
12" Oil Catch Muffler w/ Filter, 4" NPT	212-120-4NPT	77 LBS

### Replacement Parts

DESCRIPTION	PART NUMBER
1" Ball Valve Drain	288-100
12" BUNA O-Ring	286-375-RND-PF