

12" Oil Catch Mufflers - Vertical Orientation Weld-In Carbon Steel w/Filter

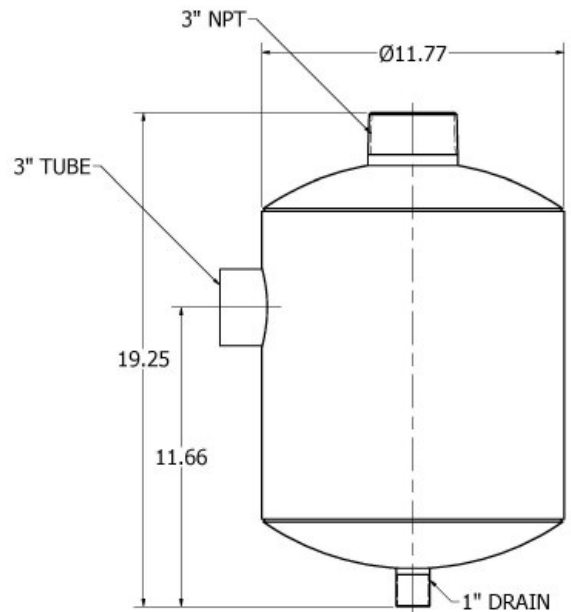
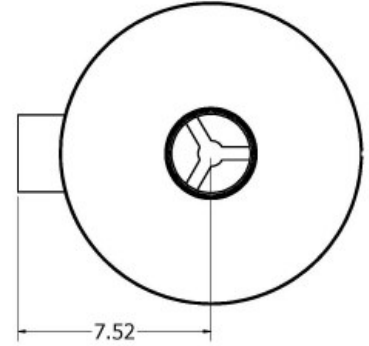
** 12" Diameter - TO 500 CFM

FEATURES

- Welded Closed
- Pleated Stainless Steel Filter



12" Dia, 3" NPT, Carbon Body
Shipped un-painted
1" Drain Valve sold seperately



Complete Assemblies

DESCRIPTION	PART NUMBER	WEIGHT
12" Oil Catch Muffler w/ Filter, 3" NPT Welded	212-120-3NPT-2	## LBS

Replacement Parts

DESCRIPTION	PART NUMBER
1" Ball Valve Drain	288-100

