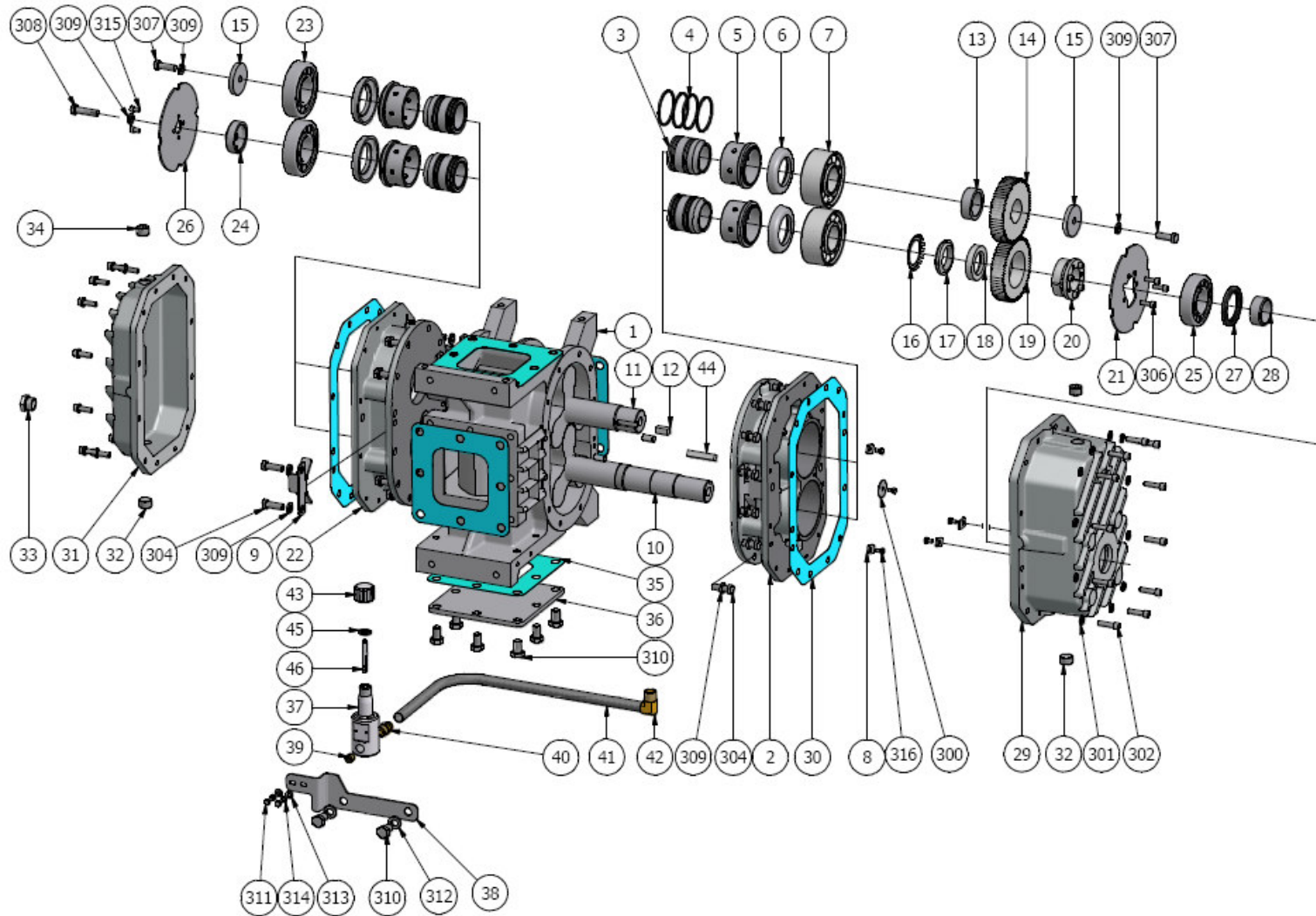


957/1457 Rotary Vane Blowers

134-957-L(D/S) & 136-1457-L(D/S)



957/1457 Rotary Vane Blowers

ITEM	QTY	PART NUMBER	DESCRIPTION
1	1	150-001-957	HOUSING, BLOWER 957
		150-001-1457	HOUSING, BLOWER 1457
2	1	150-003-957-1	END PLATE, DRIVE END
3	4	150-629-957	SEAL SLEEVE, ID, 957/1457
4	16	150-618-957	SEAL RING, 3 OD CAST IRON
5	4	150-630-957	SEAL SLEEVE, OD, 957/1457
6	4	150-631-957	SLINGER, SHAFT GUARD, 957/1457
7	2	150-621-957	BEARING, 3311 (55X120X49.2)
8	6	150-047-957	BEARING RETAINER, 957
9	4	150-045-957	WATER COVER, 957/1457
10	1	150-005-957-D	ROTOR, DRIVE, 957
		150-005-1457-D	ROTOR, DRIVE, 1457
11	1	150-005-957-I	ROTOR, IDLER, 957
		150-005-1457-I	ROTOR, IDLER, 1457
12	1	Key .5x.5x1.125	KEY .5x.5x1.125
13	1	150-633-957	SPACER, BLOWER ROTOR
14	1	150-613-957	TIMING GEAR, IDLER 957/1457
15	2	150-638-957	RETAINER, IDLER ROTOR, 957/1457
16	1	150-646-957	WASHER, LOCK N11 957/1457
17	1	150-645-957	LOCK NUT, 957/1457
18	1	150-641-957	RETAINER, LOCK NUT, 957/1457
19	1	150-612-957	TIMING GEAR, DRIVE 957/1457
20	1	150-624-957	RETAINING RING, B-LOC, 2" X 3.15"
21	1	150-635-957	OIL SLINGER, DRIVE END 957/1457
22	1	150-003-957-2	ENDPLATE, FOLLOWER, 957/1457
23	2	150-622-957	BEARING, NU 311 (55X120X29)
24	1	150-636-957	RETAINER, NON DRIVE END

ITEM	QTY	PART NUMBER	DESCRIPTION
25	1	150-623-957	BEARING, NU 310 (50X110X27)
26	1	150-637-957	OIL SLINGER, NON DRIVE END
27	1	150-620-957	SEAL, VITON (60X85X8)
28	1	150-009-957	SEAL SLEEVE, 135MM
29	1	150-627-957	END COVER, DRIVE END 957/1457
30	2	150-639-957	GASKET, END COVER, 957/1457
31	1	150-628-957	END COVER, NON-DRIVE END 957
32	2	P1-1200-M	Drain Plug, 3/4" NPT Magnetic
33	1	150-048	SIGHT EYE, 1 1/16" -12 SAE
34	2	120-047	DRAIN PLUG, 3/4" NPT
35	4	150-616-957	GASKET, FLANGE, INT/EXHAUST
		404-600-GF	GASKET, TTMA, 6" FIBER
36	1	150-617-957	FLANGE, BLANK, 957
		150-617-1457	FLANGE, BLANK, 1457
37	1	150-082-957	BODY, OIL GAUGE
38	1	150-644-957	BRACKET, SIDE MOUNT OIL GAUGE
39	1	Hex-Head Plug	Countersunk Hex-Head Plug
40	1	320-601	FITTING, OIL GAGE, 747
41	1	320-620-957	HOSE, OIL GAGE, STAINLESS
42	1	320-602	FITTING, OIL GAGE OIL TANK, 747
43	1	150-683	CAP, BLOWER OIL GAUGE
44	1	Key .5x.5x2.5	KEY .5x.5x2.5
45	1	190-020-4	WASHER, VALVE, VITON
46	1	B953-43	DIP STICK, BLOWER GAUGE
47	4	DOWEL 1/2"-1	Unhardened Ground Dowel

ITEM	QTY	PART NUMBER	DESCRIPTION
300	2	B8-0504	Washer, Fender 5/16" x 1 1/2"
301	23	LW - 3_8	LOCK WASHER, 3/8"
302	11	B2-0612	SHCS 3_8 x 1.50 UNC
304	24	B1-0812	Screw, 1/2" UNC x 1 1/2" H.H.
305	12	B2-0610	SHCS 3_8 x 1.25 UNC
306	3	B953-24-Bolt	Bolt, SHCS M8 x45mm
307	2	HHCS - 1_2 X 1.50 UNF	HHCS - 1/2 X 1.50 UNF
308	1	HHCS - 1_2 X 2.00 UNF	HHCS - 1/2 X 2.00 UNF
309	27	LW - 1_2	LOCK WASHER, 1/2
310	10	HHCS - 5_8 X 1.00 UNC	HHCS - 5/8 X 1.00 UNC
311	2	HHCS - 1_4 X 0.625 UNC	HHCS - 1/4 X 0.625 UNC
312	2	LW - 5_8	LOCK WASHER, 5/8
313	2	W - 1_4	FLAT WASHER, 1/4"
314	2	LW - 1_4	LOCK WASHER, 1/4"
315	2	SHCS - 5_16 X 0.50 UNC	SHCS - 5/16 - 18 UNC X 0.50 LG.
316	8	B1-0504	Bolt, HHCS 5/16" x 1/2"